

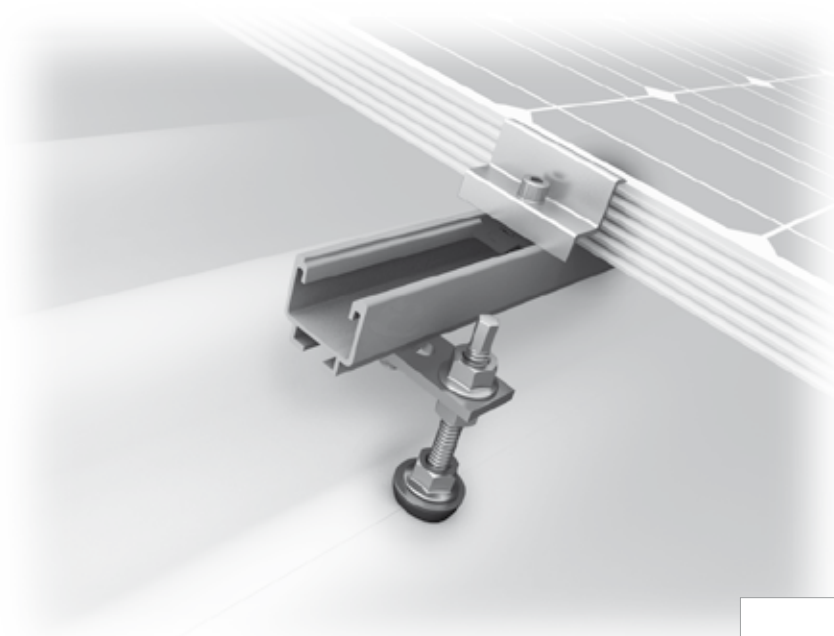


Elpo | St Vigil Enneberg - Italy
System: 5.29 kW | Hanger Bolt System



Elpo | Frubona Terlan - Italy
System: 671.86 kW | Hanger Bolt System

Mounting systems for solar technology



SERVICE-HOTLINE
+49 (0)7159 42059-0
www.k2-systems.com

Produktblatt Stockschraube | GB5 | 0915 | Subject to change
Product illustrations are exemplary illustrations and may differ from the original.
Please refer to
<http://www.k2-systems.uk.com/downloads/certificates.html>
to download our quality and product certificates.

K2 SYSTEMS
SLOPED ROOF SYSTEMS
HANGER BOLT

HANGER BOLT SYSTEM

- For roofs with corrugated fibre cement roofing, steel or aluminium profile
- Pre-assembled with adapter plate for time-saving assembly
- Elongated hole enables easy connection by T-bolt to the K2 SolidRail or K2 CrossRail range
- Screw head with hexagon drive allows for assembly with electric screwdriver
- Extra-long metric thread for height adjustment
- All components made of high-quality stainless steel and aluminium, sealing element made of high quality EPDM
- Greater span widths possible by mounting with K2 Bridge

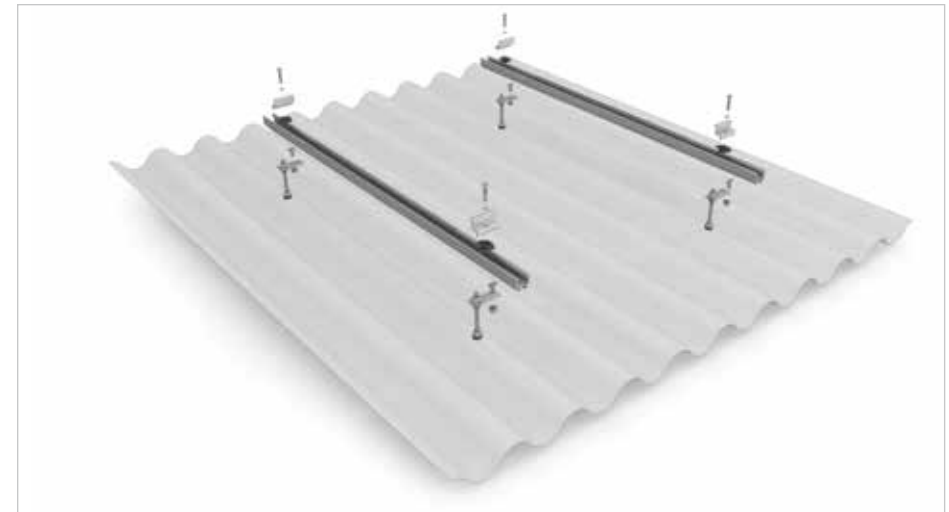


Detail illustration: Hanger bolt with FZD seal

Technical data



Field of application	Sloped roof 5-75°
Roofing	Corrugated fibre cement with timber sub-structure, steel or aluminium profile
PV modules	Suitable for all standard module types
Module orientation	Vertical / horizontal (with cross bracing)
Material	Stainless steel 1.4301
Connecting elements	Stainless steel screws A2-70, sealing made from EPDM
Roof connection	Screw connection
Static principles	Technical approval Z14.4-602, DIN EN 1991 (Eurocode 1)
System components	K2 Hanger bolt, K2 SolidRail or K2 CrossRail range, mid and end clamp sets, K2 Bridge, T-head bolt, K2 Climber, M K2, K2 hexagon flange nut with serration



System Explosion drawing