

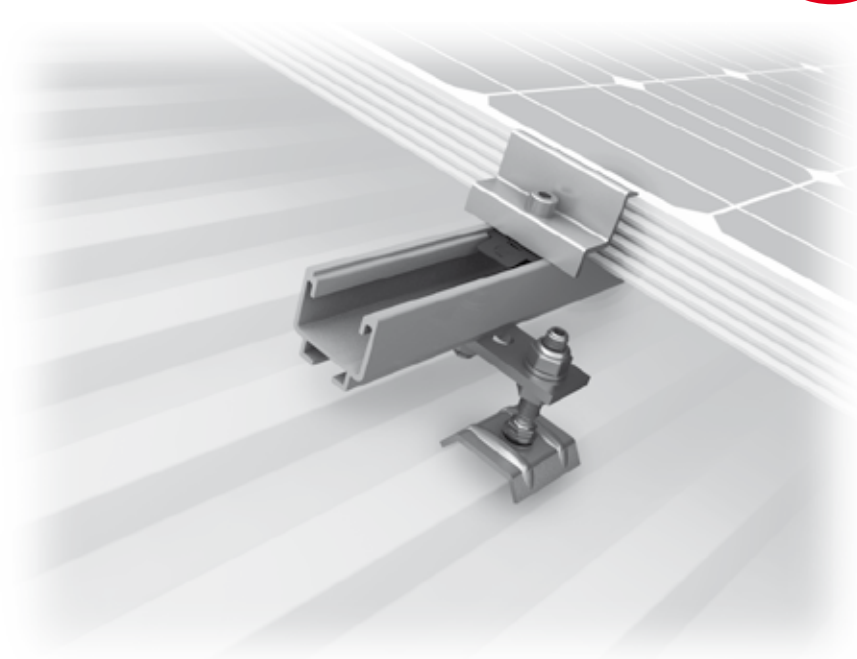


Novatech | Michelfeld-Erlin - Germany  
System: 1,4 MW | Solar fastener System



Elpo | Brixen - Italy  
System: 88,83 kW | Solar fastener System

Mounting systems for solar technology



SERVICE-HOTLINE  
**+49 (0)7159 42059-0**  
[www.k2-systems.com](http://www.k2-systems.com)

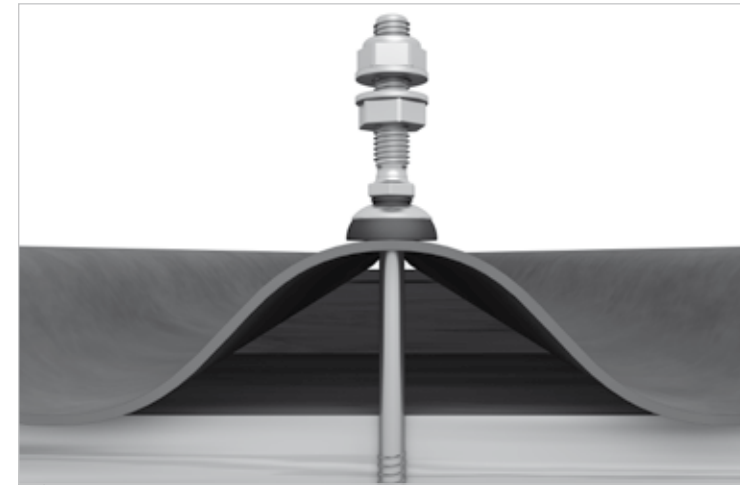
Product Sheet Solar Fastener | GB5 | 0915 | Subject to change  
Product illustrations are exemplary illustrations and may differ from the original.

Please refer to  
<http://www.k2-systems.com/downloads/certificates.html>  
to download our quality and product certificates.

K2 SYSTEMS  
**SLOPED ROOF SYSTEMS**  
**SOLAR FASTENER**

# SOLAR FASTENER SYSTEM

- Well-proven mounting system for roofs with steel, concrete or timber purlins in combination with the K2 SolidRail family
- Suitable for many different roof types
- Extra-long metric thread for height adjustment
- Quick and easy mounting with hexagon socket bolt top
- All components made of high quality EPDM
- Quality and safety by means of independent technical approval and structural calculation via the K2 design software

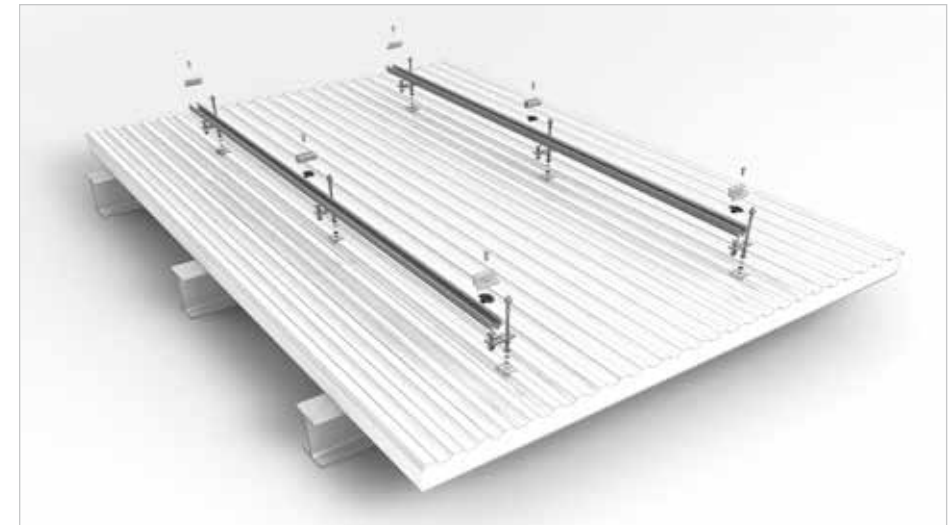


Detail: Solar fastener with FZD seal

## Technical data



Field of application	Sloped roof 5 - 75°
Roofing	Roofs with steel or aluminium profile or fibre cement covering (with steel, timber and concrete sub-structure)
PV modules	Suitable for all standard module types
Module orientation	Portrait / Landscape (with cross bracing)
Material	Stainless steel 1.4301
Connecting elements	Stainless steel A2-70, sealing made from EPDM or Storm Washer with EPDM inlay
Roof connection	Screw connection
Static principles	Technical approval Z-14.4-532, Eurocode 1 / DIN EN 1991
System components	Solar fasteners, K2 SolidRail or K2 CrossRail family, adapter plate, mid and end clamp sets, K2 Bridge, K2 Climber, T-bolts, M K2



Exploded view